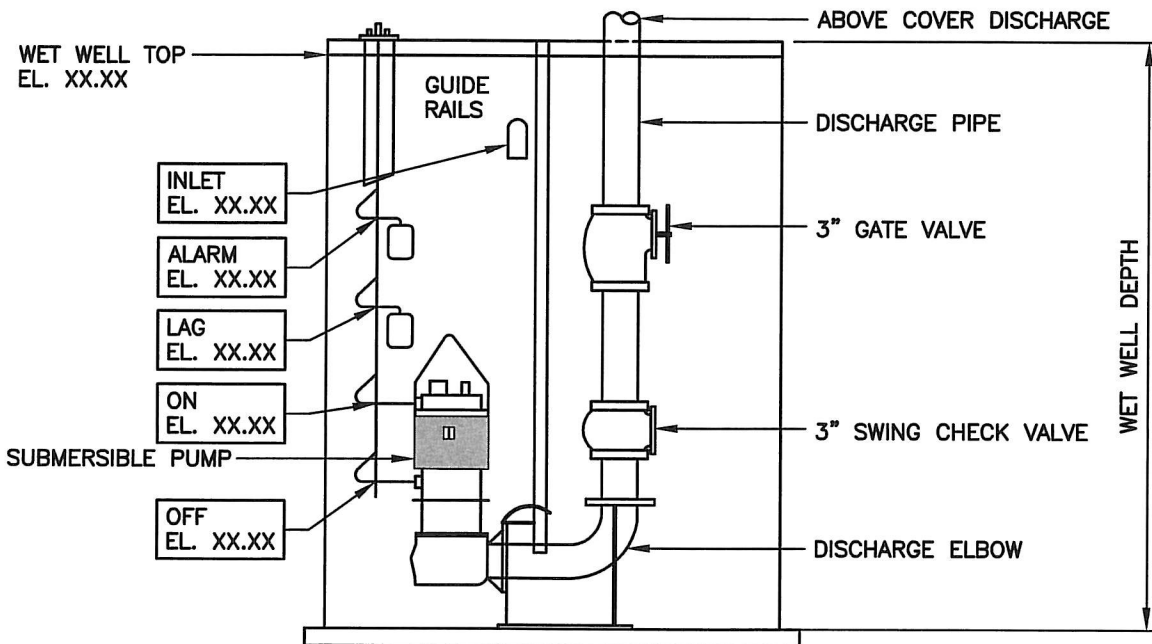
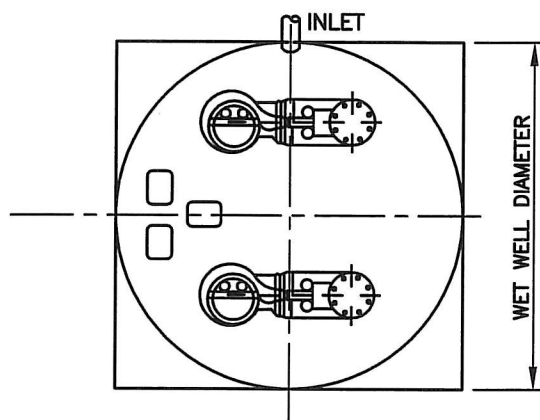
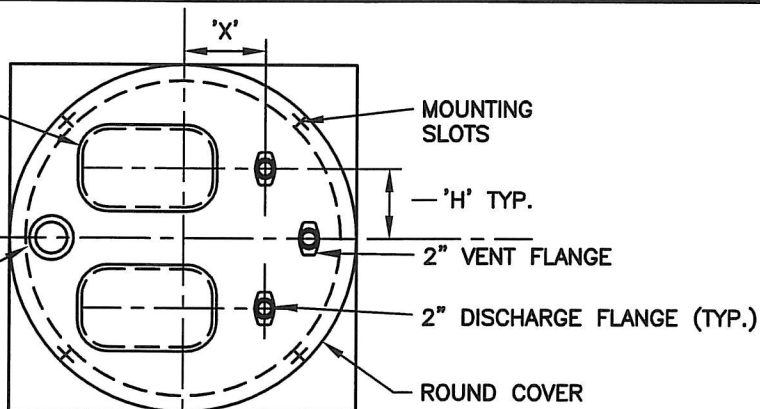


ONE OR TWO
PUMP OPENINGS
W/ DOORS

LEVEL CONTROL
OPENING W/
PLATE



DUPLEX SUBMERSIBLE PUMP DETAIL

SCALE: N.T.S.



**William F. Cosulich
Associates, P.C.**
ENVIRONMENTAL ENGINEERS AND SCIENTISTS

GREAT NECK
WATER POLLUTION CONTROL DISTRICT

TYPICAL EJECTOR PUMP SYSTEM