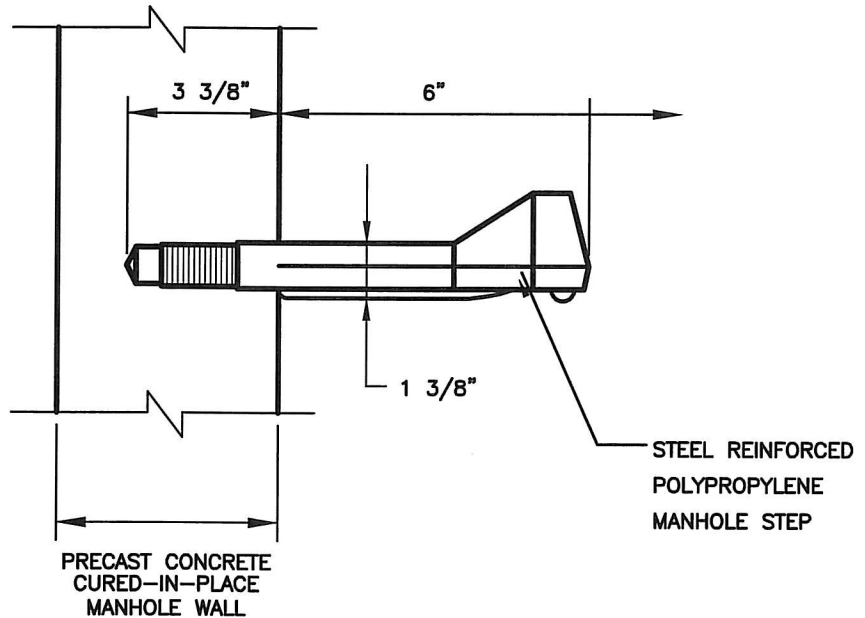


MANHOLE COVER DETAIL

N.T.S.

NOTES:

1. MANUFACTURER: CAMPBELL FOUNDRY #1104B OR EQUAL.
2. MATERIAL - GRAY CAST IRON ASTM A48-83, CLASS 30B, HS20-44 HIGHWAY LOADING.
3. BEARING SURFACE AT SEAT OF FRAME AND COVER SHALL BE MACHINED FOR UNIFORMITY.
4. COVER SHALL HAVE TWO STEEL RECESSED DROP-LIFT HANDLES.
5. CASTINGS SUPPLIED WITHOUT SURFACE COATING.



DETAIL OF POLYPROPYLENE MANHOLE STEPS

N.T.S.

GREAT NECK
WATER POLLUTION CONTROL DISTRICT



William F. Cosulich Associates, P.C.
Environmental Engineers and Scientists